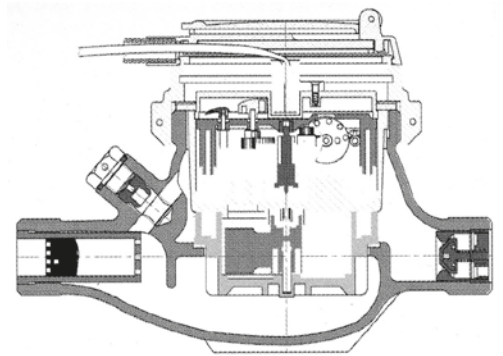


# BAYLAN

## WATER METERS

### TK-4E

#### Multi jet Dry type Water Meter

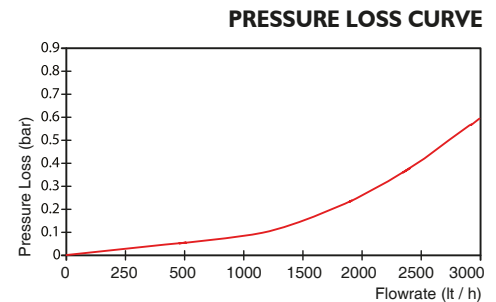
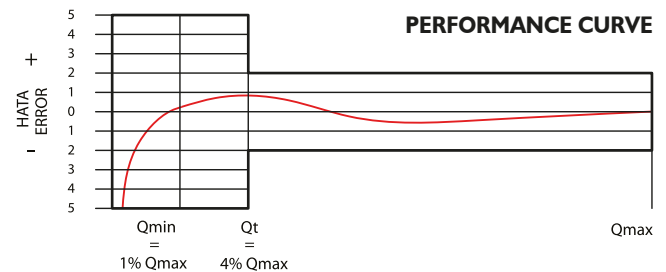


#### GENERAL

- Reading with reed sensor
- 1 pulse output at 1/10/100/1000 lt
- Available for optical reading • Non return valve
- Low head loss • Good sensitivity in initial starting
- Equipped with frost circle • 3 years of warranty
- Electrostatic painted body made of corrosion resistant brass
- Body internally/externally e/p powder painted
- Suitable for cold water up to 50°C
- Almost no maintenance • Double glass
- Service and spare parts available for 10 years

#### PERFORMANCE DATA

Nominal Flow	Qn	(m <sup>3</sup> /h)	: 1.5
Maximum Flow	Qmax	(m <sup>3</sup> /h)	: 3.0
Transitional Flow	Qt	(m <sup>3</sup> /h)	: 0.12
Minimum Flow	Qmin	(m <sup>3</sup> /h)	: 0.03
Initial Flow	Qi	(l/h)	: 10
Maximum Working Pressure		(bar)	: 10
Maximum Working Temperature		(°C)	: 50
Metrological Class			: B
Pressure Loss		(bar)	: 0.6
Maximum Registration Capacity		(m <sup>3</sup> )	: 99999
Smallest Reading Resolution		(m <sup>3</sup> )	: 0.00005
Mounting on the network			: Horizontal
Unit weight		(kg)	: 1.50
Package Weight (without connections)		(kg)	: 16.50
Package Weight (with connections)		(kg)	: 19.00
Quantity per package			: 10
Package dimensions		(cm)	: 24x46.5x18.5



#### DIMENSIONS

Nominal diameter	DN	15	mm
Connecting diameter	D	G 3/4	B
Total overall meter height	H	111	mm
Axis height	h	33.5	mm
Length	L	165	mm
Width	B	97	mm
Length with connections	LB	258	mm

